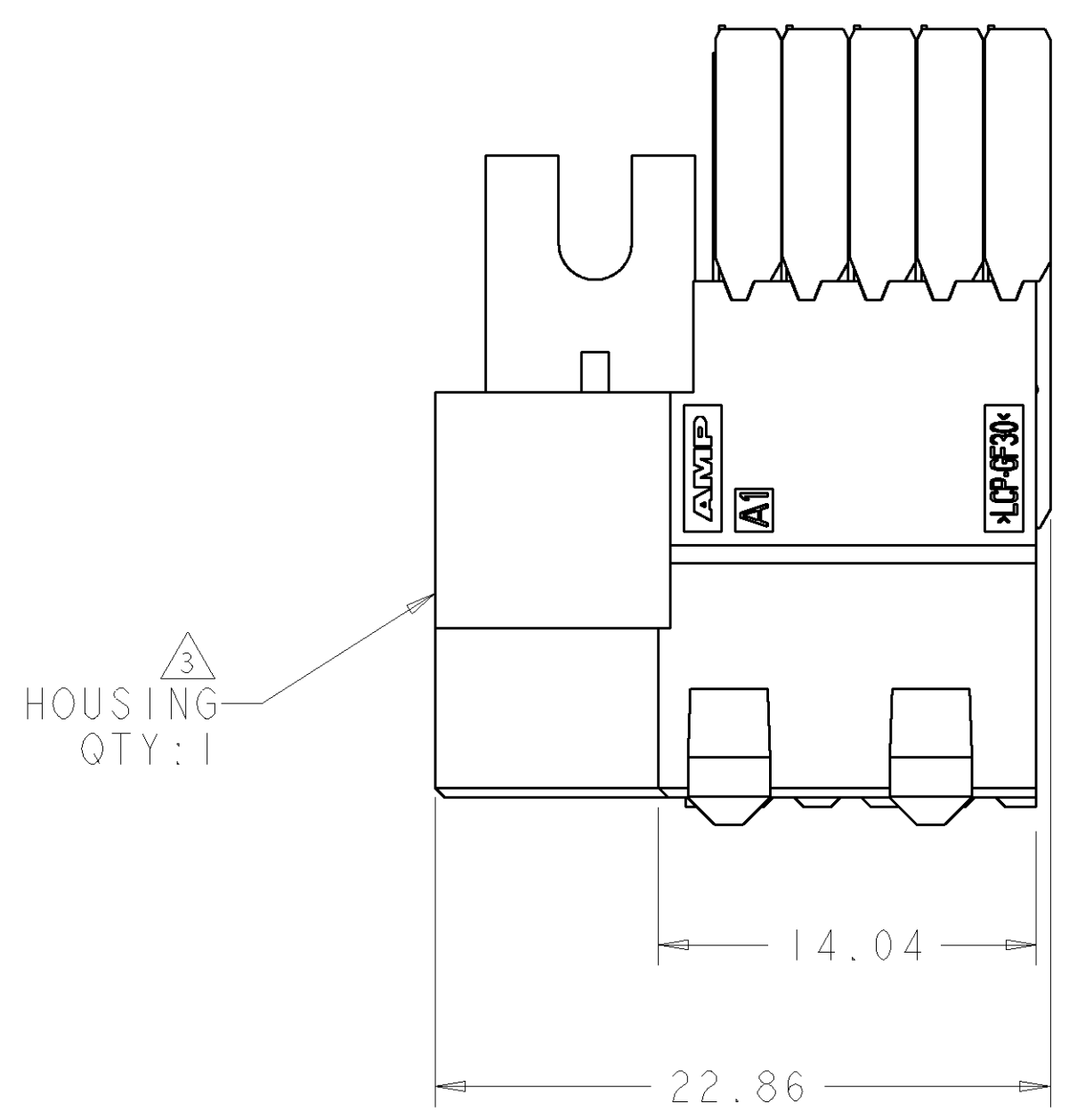
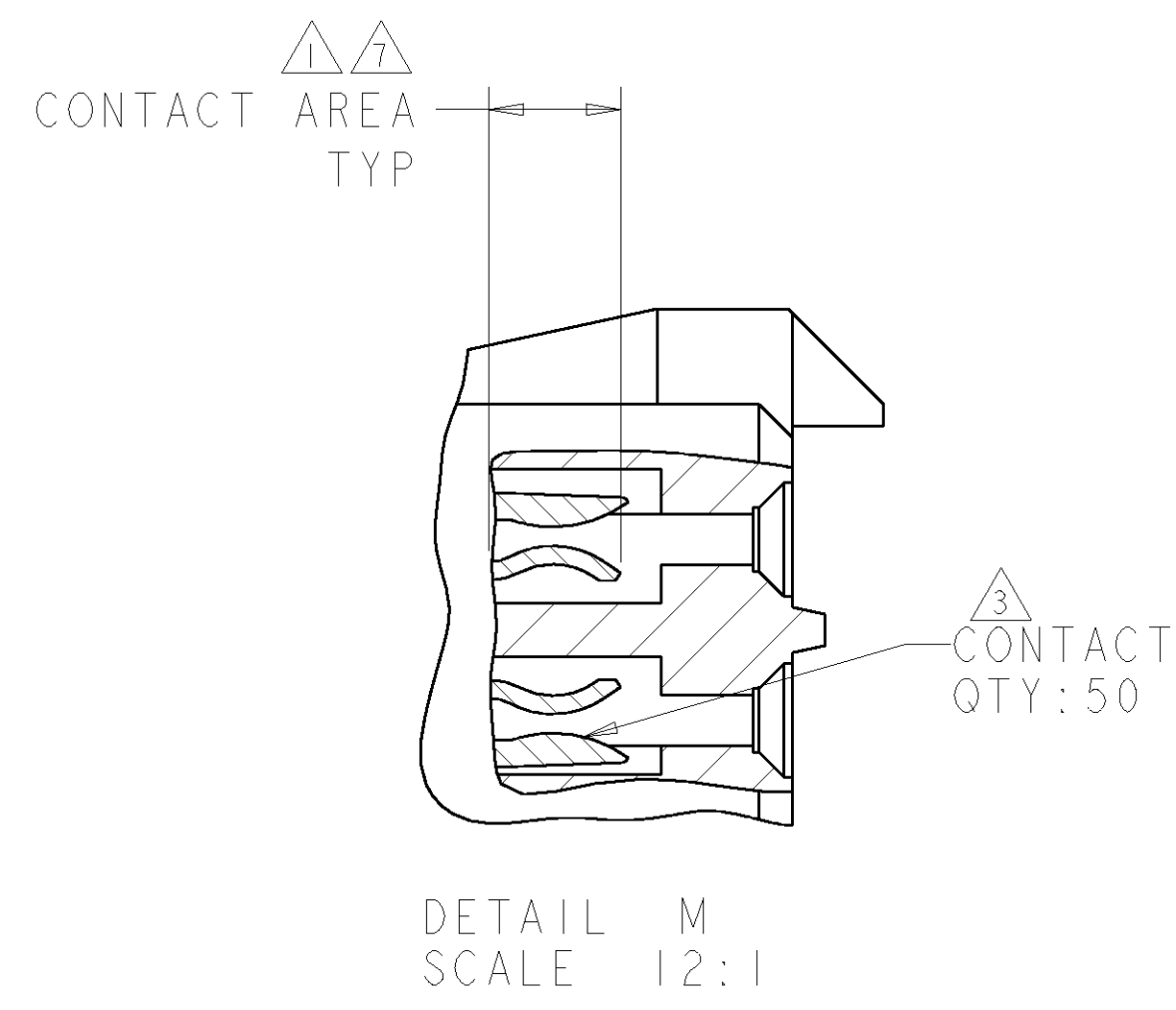
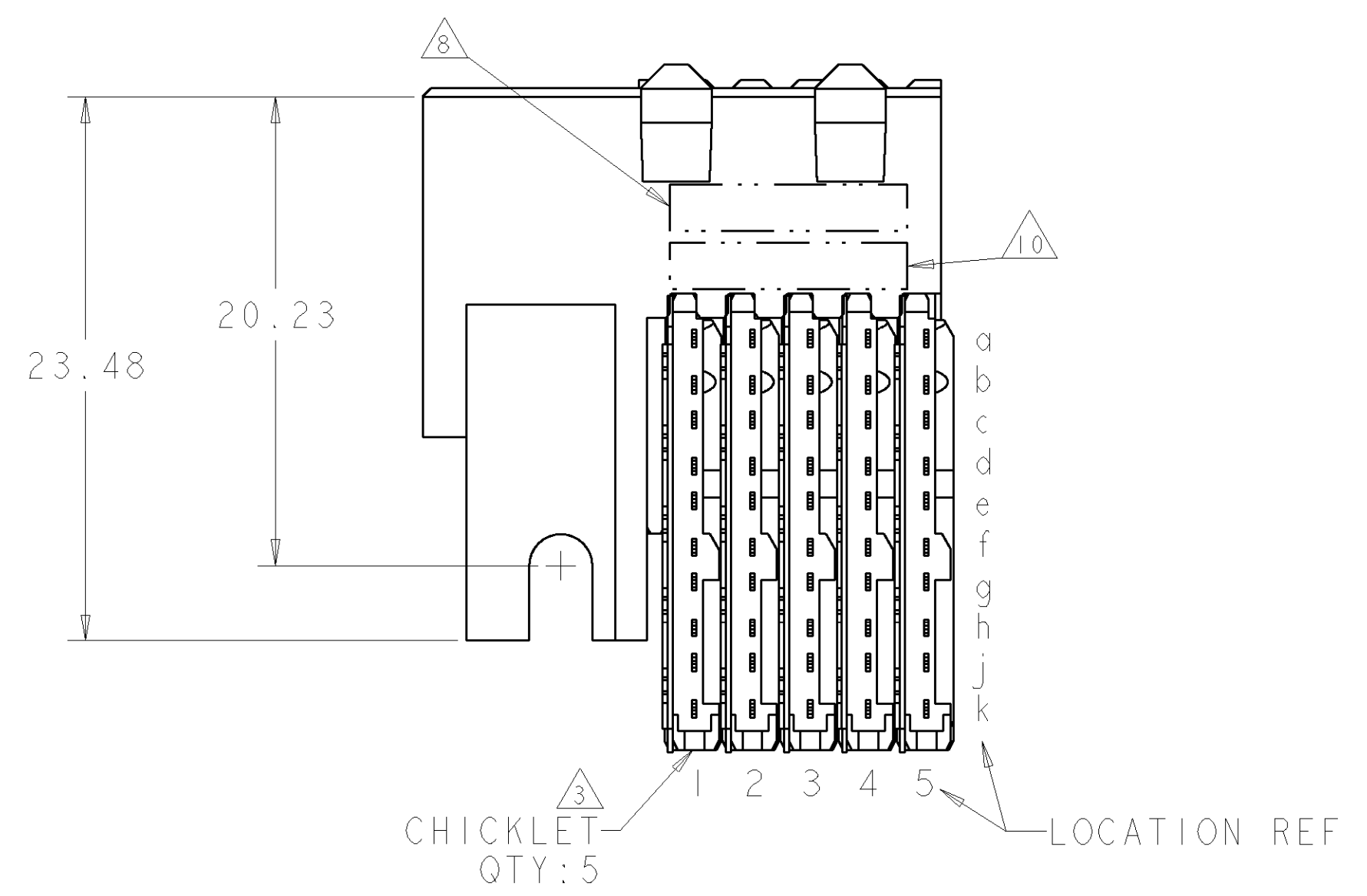
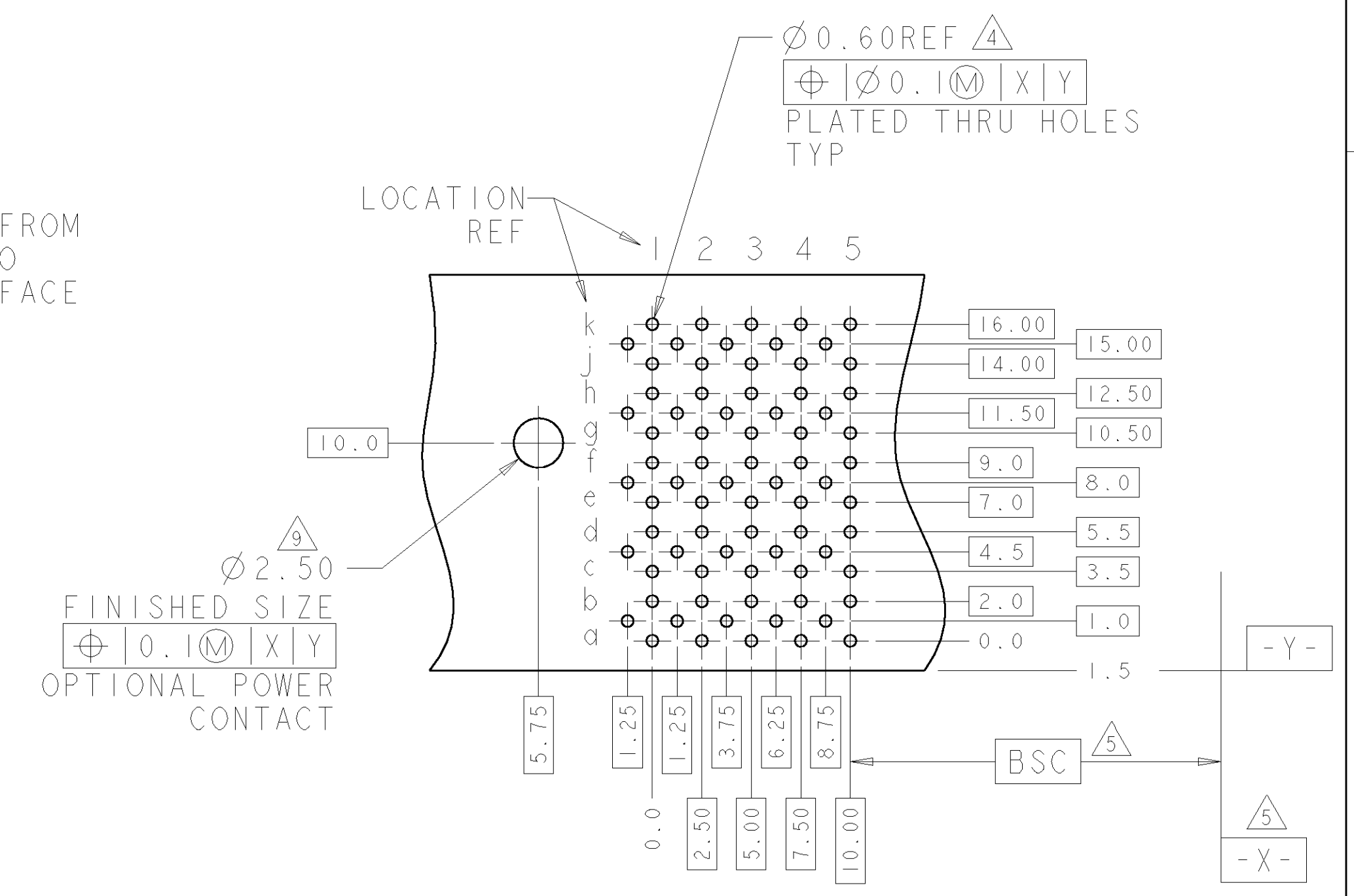
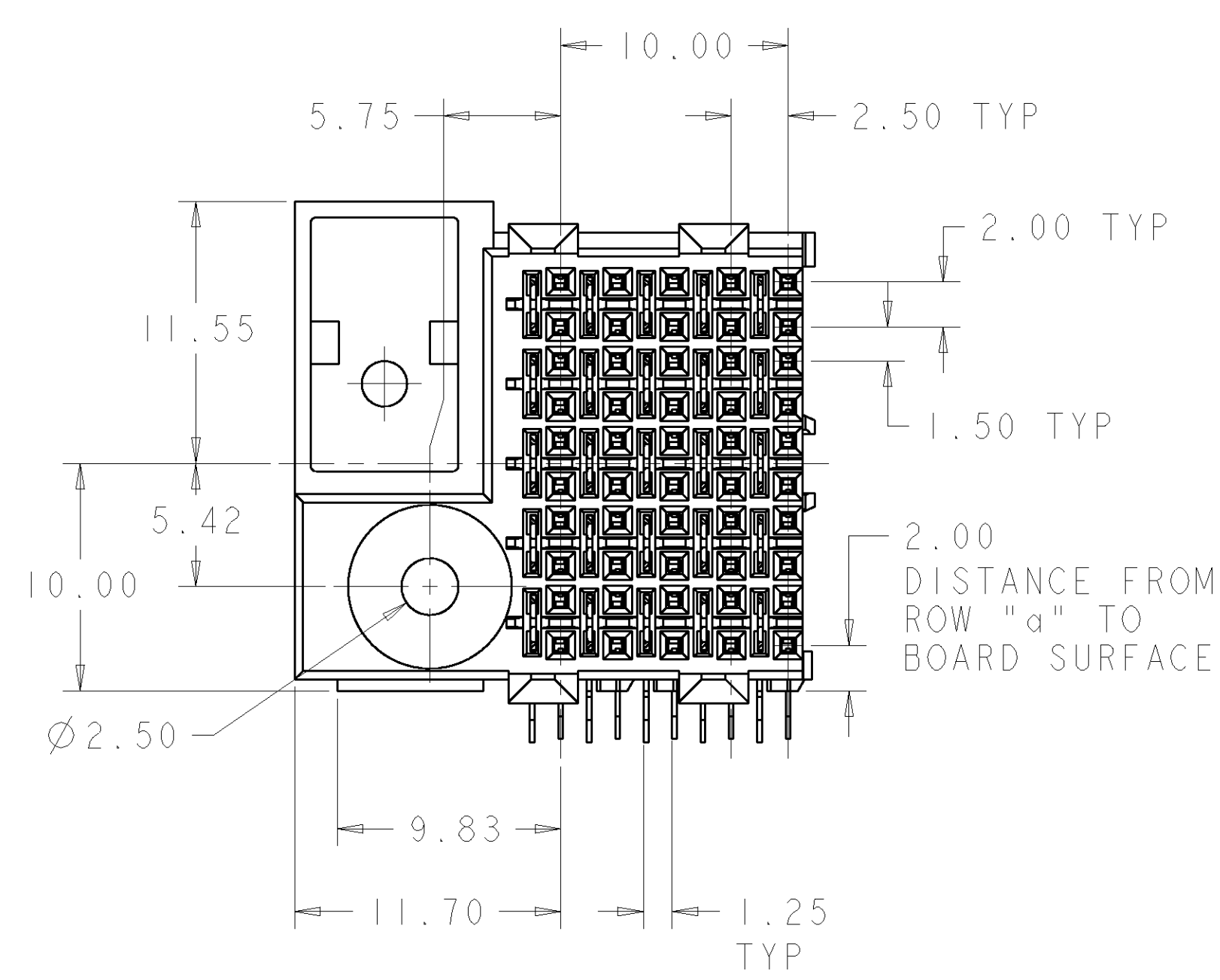
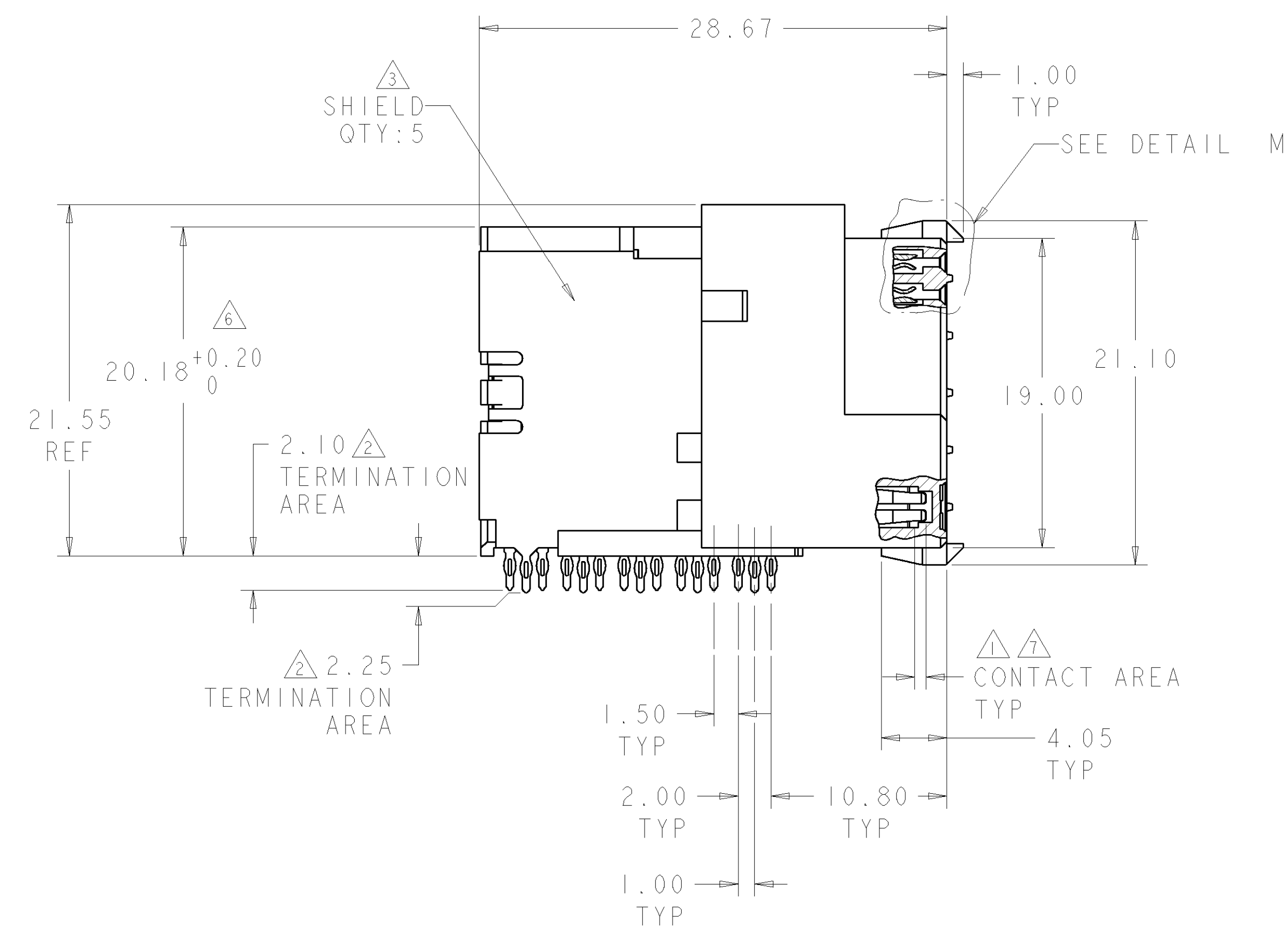


LOC	DIST	P	LTR	DESCRIPTION	DATE	DWN	APVD
AD	00						
		E		ADDED TAPER TO LUGS PER 0512-0157-03	21FEB2004	SJM	RAP
		F		CORRECTED PC BOARD PER 0512-0132-04	11MAR2004	SJM	RAP
		G		REV PER EC 0512-0236-04	14SEP2004	BC	RP
		G1		REV PER ECO-06-024579	22JAN2007	JRP	RAP



- 1 0.76µm MIN GOLD OVER 1.27µm MIN NICKEL OR GOLD FLASH OVER 0.76µm MIN PALLADIUM-NICKEL OVER 1.27µm MIN NICKEL
- 2 0.76µm MIN TIN-LEAD OVER 1.27µm MIN NICKEL
- 3 MATERIAL: CONTACT - COPPER ALLOY
SHIELD - PHOSPHOR BRONZE
HOUSING - LCP, UL94V-0
CHICKLET - GLASS FILLED POLYESTER
- 4 REFERENCE APPLICATION SPEC 114-13020 FOR RECOMMENDED PLATED THRU HOLE DIAMETER AND PLATING THICKNESSES
- 5 DATUM AND BASIC DIMENSION ESTABLISHED BY CUSTOMER.
- 6 SEATING HEIGHT TO BOARD SURFACE.
- 7 CONTACT AREA LUBRICATED WITH BELLCORE APPROVED LUBRICANT. TECHNICAL REFERENCE: GR-1217-CORE, ISSUE 1, NOVEMBER 1995.
- 8 DATE CODE
- 9 OPTIONAL POWER CONTACT PN 535875-X
- 10 PART NUMBER



RECOMMENDED PRINTED
 CIRCUIT BOARD LAYOUT
 COMPONENT SIDE OF PRINTED CIRCUIT BOARD

120793-1
 PART NUMBER

DIMENSIONS:		TOLERANCES UNLESS OTHERWISE SPECIFIED:		DWN MDL 17MAR2000		AMP Incorporated	
mm		0 PLC ±		ENH MDL 17MAR2000		Harrisburg, PA 17105-3608	
Ø		1 PLC ±0.2		APVD MDL 17MAR2000		NAME	
H		2 PLC ±0.13		PRODUCT SPEC		RECEPTACLE ASSEMBLY, 50 POSITION	
L		3 PLC ±0.05		APPLICATION SPEC		ESD/POWER GROUND PIN, LEFT HAND,	
R		4 PLC ±		114-13020		10 ROW, DUAL BEAM, Z-PACK HS3	
S		ANGLES ±		WEIGHT		SIZE CAGE CODE DRAWING NO	
T		FINISH		SOLDER TAIL CONTACT		A1 00779 C=120793	
U		MATERIAL		CUSTOMER DRAWING		RESTRICTED TO	
V		SCALE 4:1		SHEET 1 OF 1		REV G1	